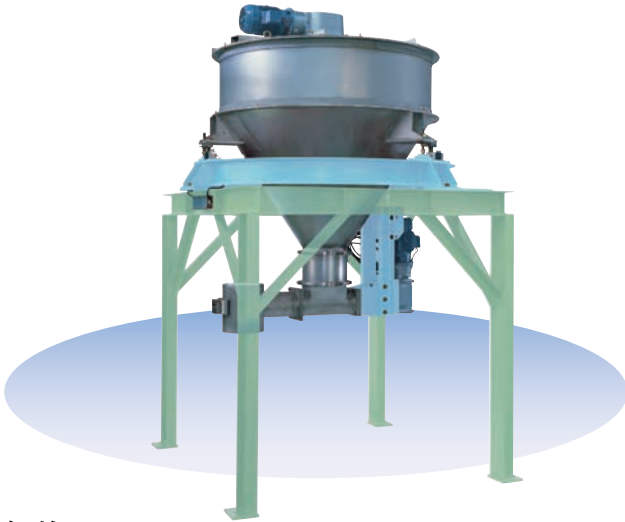


螺杆式大型称量型送料机

Screw-Type Large Weighing Feeder



适用材料 Applications

颗粒、粉末、碳酸钙、滑石粉、树脂膜粉粒品、面粉、淀粉
Pellet, Powder, Calcium carbonate, Talc, Fluff, Flour, Starch

特点 Features

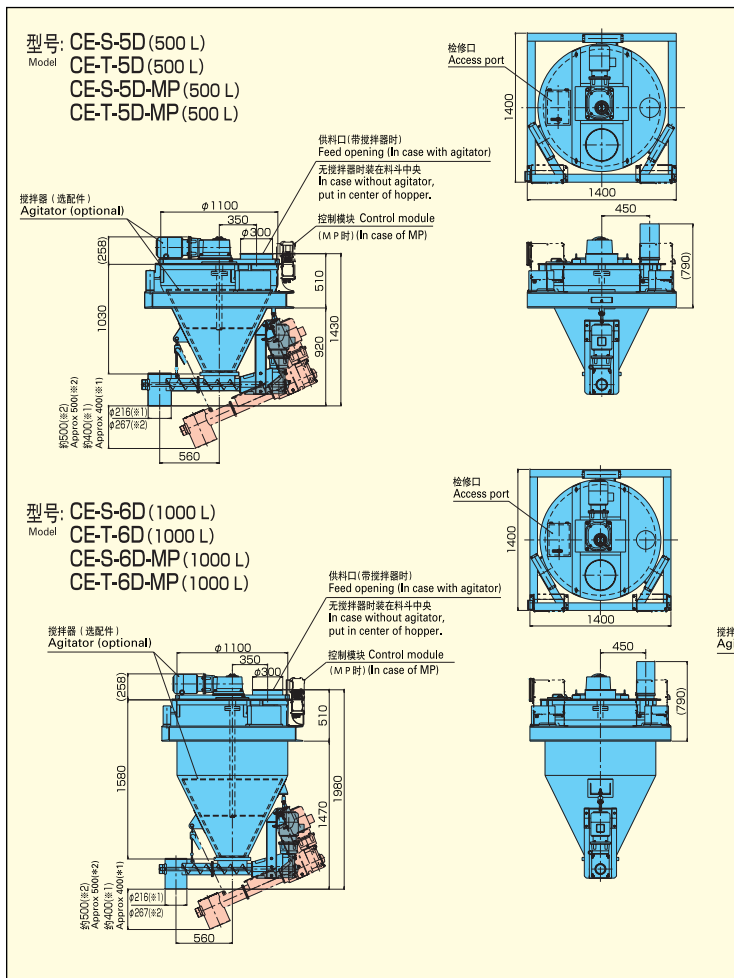
- 大能力·高精度失重式送料。
- 通过更换附件可对应粉体/颗粒的送料(选配件)。
- 螺杆部的分解·组装简单,清扫容易。
- 有对应规格的耐压防爆选配件。
- 可作为前部送料装置使用。
- Large capacity and high accuracy with loss in weight system.
- Changing attachments enables to process both powder and pellets (optional).
- Screw part can be disassembled and reassembled with ease, so cleaning is easy.
- Explosion-proof specifications are optionally available.
- Can be used as material refilling equipment.

规格 Specifications

型号 Model	流量范围 Flow rate range	料斗容量 Hopper capacity	称量 Weighing capacity	螺杆 Screw	产品重量 Feeder weight	电源 Power supply
CE-S-5D CE-S-5D-MP	100~30000L/h	500L	500kg	单轴 Single screw	约460kg Approx. 460kg 约480kg Approx. 480kg	AC380V 3相 4.5kVA 带搅拌机 9kVA (-MP的时候:AC220V 单相 3.1kVA 带搅拌机 7.6kVA)
CE-S-6D CE-S-6D-MP		1000L	1000kg		约490kg Approx. 490kg 约510kg Approx. 510kg	
CE-S-7D CE-S-7D-MP		2000L	2000kg		约580kg Approx. 580kg 约600kg Approx. 600kg	
CE-T-5D CE-T-5D-MP		500L	500kg		双轴 Twin screw	
CE-T-6D CE-T-6D-MP	1000L	1000kg	约510kg Approx. 510kg 约530kg Approx. 530kg			
CE-T-7D CE-T-7D-MP	2000L	2000kg	约600kg Approx. 600kg 约620kg Approx. 620kg			
				AC380V 3φ 4.5kVA for agitator type: 9kVA (For -MP: AC220V 1φ 3.1kVA for agitator type: 7.6kVA)		

型号后带有-MP的为控制模块KF-M3500一体型。The models having [-MP] are combined with control module KF-M3500.

外形尺寸 Dimensions



构成图 Construction

