

# 碗槽式易维护称量型送料机 CE-B

## Bowl-Type Cassette Weighing Feeder CE-B



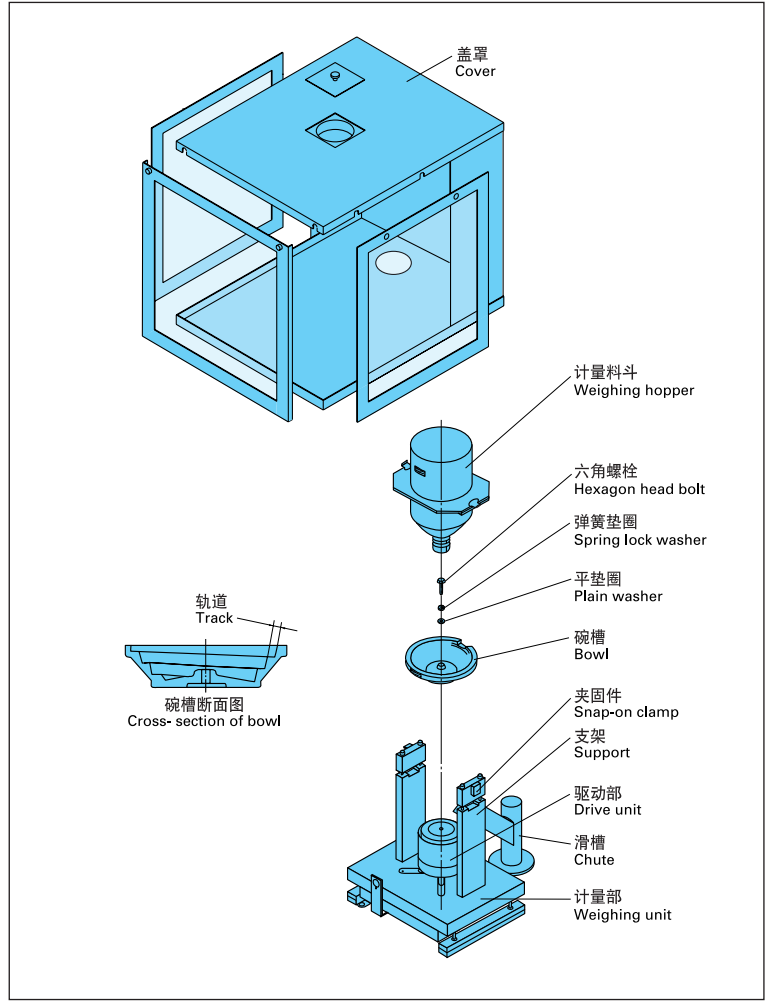
### 适用材料 Applications

母粒(色母粒)、其它粒体材料  
Master batch (colored) pellets and other granules

### 特点 Features

- 粒体材料的小流量、高精度供料。
- 由于将粒体材料排列在轨道上供料,可实现少脉动连续供料。
- 主要部件分解简单。
- 全量排出时几乎无残料,清扫简单。
- For pellet feeding at low flow rate with high precision.
- Pellets are in line neatly along a track, offering continuous feeding with minimal fluctuation in flow rate.
- Major parts can be disassembled with ease.
- Little residue remains after discharge, so cleaning is easy.

### 构成图 Construction



### 规格 Specifications

型号 Model	流量范围 Flow rate range	料斗容量 Hopper capacity	称量 Weighing capacity	产品重量 Feeder weight	电源 Power supply
CE-B-1D	0.2~10L/h	1.5L	1kg	约40kg Approx. 40 kg	AC220V单相 220V AC, 1 phase, 0.2 kVA

### 外形尺寸 Dimensions

